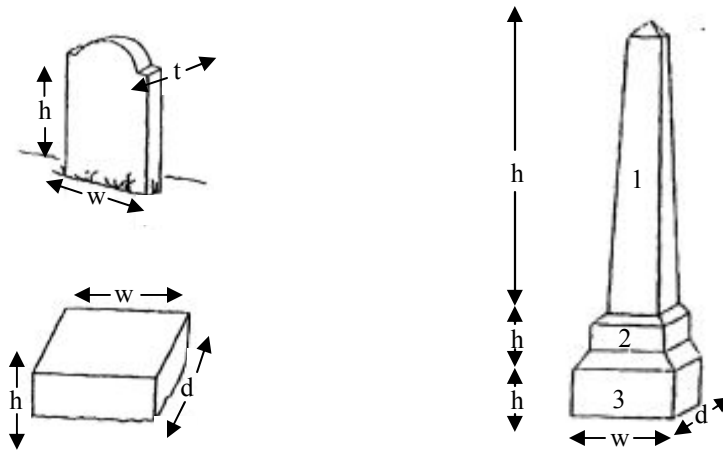


Notes on the Gravestone Evaluation Sheets

- Inscriptions were transcribed to the best of our ability. If part of the inscription could no longer be read, we consulted previous transcriptions¹ and included that information in [brackets]. None of the previous transcriptions attempted to transcribe the lines of verse that appear on many of the markers. A lot of these lines were quite worn, and when necessary we consulted the internet for help. Many of these verses come from either the Bible or poetry, and [brackets] were also used here to designate the words that are no longer legible.
- The gravestones were measured according to the following examples, using the term “thickness” or “depth” where most appropriate. For markers composed of more than one piece of stone, each section was measured individually, and a total height was recorded at the end. The different sections were numbered beginning from the top.



- Some gravestones have sunk so that some of the inscription is now below ground level. Height measurements with the notation “into ground” indicate that the measurement was taken to include any buried text.
- If a marker is broken, but all of the pieces were found, then the total height is indicated with the word “assembled.”
- The grave markers composed of more than one piece of stone often include different *types* of stone. In this case, the corresponding section number appears next to the material type.
- If a marker is noted as being buried, it was uncovered for photographic purposes and then reburied in the same position as it was originally found. Other gravestones currently lying on the ground may have been propped up for photographing, but they were also returned to the exact locations they were found in.
- Any time a marker was found with cement associated with it, we designated it as a repair.

¹Brodzik, Joe and Jen, editors. *Oakwood Cemetery*. Northville, Michigan: Northville Genealogical Society, 2013.

Collins, Gloria, compiler. *Cady Street Cemetery*. Northville, Michigan: Northville Genealogical Society, June 1989.

Records of Six Old Cemeteries of Plymouth and Northville Townships, Wayne County, Michigan. Plymouth, Michigan : Sarah Ann Cochrane Chapter, D.A.R., 1934?

Kennedy, Ruth S. “Northville Cemetery: Northville, Wayne County, Michigan.” *Detroit Society for Genealogical Research Magazine* 62:1 (1998): 37-40; 62:2 (1999): 79-82; 62:3 (1999): 135-138; and 62:4 (1999): 176-179.